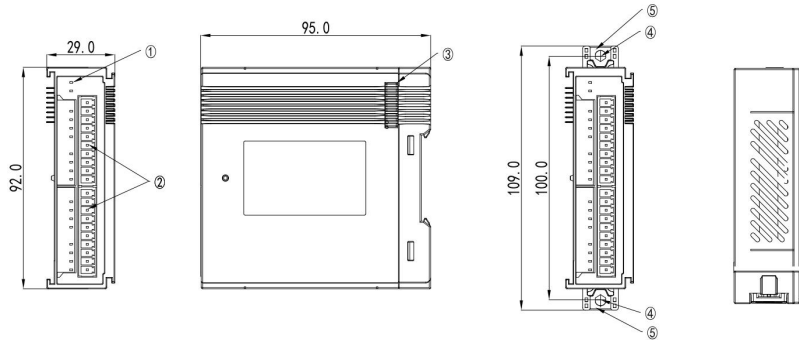


Model	Description
LX6V-4PT	4-channel PT100 input module
LX6V-4TC	4-channel K/J type input module
LX6V-8TC	8-channel K/J type input module

## Installation



① I/O LED; ② I/O terminal; ③ Expansion module interface; ④ Installation hole: 2 (Φ4.5); ⑤ DIN rail fastener

## Specification

Module	LX6V-4PT	LX6V-4TC	LX6V-8TC
Description	4-channel thermal resistor temperature module	4-channel thermocouple temperature module	8-channel thermocouple temperature module
Sensor Type	PT100	K/J type	
Wiring	Two/three wire system	—	
Isolation	—	Inter-channel isolation	
Compensation	—	Internal cold junction compensation	
Resolution	16-bit		
Display Sensitivity	0.1°C		
Accuracy	0.2°C to 0.3°C	0.4°C for K type, 0.3°C for J type	
Bus Current	100mA/24VDC		
Working Temperature	0°C to 55°C		